

N LBSM G CD

1901 Tap Range 1901 Luxury Bath Shower Mixer with Ceramic Disc Valves Gold



Specification

Product Type:	Taps
Main Construction Material:	Brass
Mount Type:	Deck
Handle Type:	Crosshead
Connection Inlet:	3/4" BSP
Connection Outlet:	G 1/2"
Number of Tap Holes:	2
Valve/Cartridge Type:	1/4 Turn 3/4" Ceramic Disc Valve
Plumbing System Requirements:	All, preferably balanced
Minimum Dynamic Pressure:	0.2 bar
Maximum Hot Water Temperature: °C	65
Maximum Static Pressure: (bar)	10
Isolation Included:	No

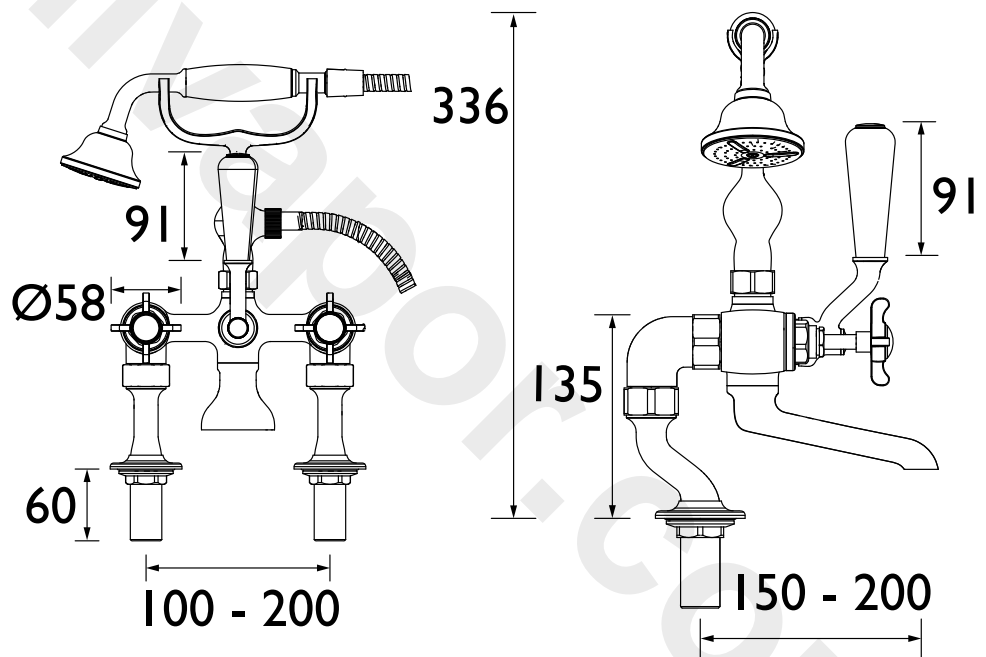
Features:

- Long life and easy to use 1/4 turn ceramic disc valves
- Metal handles
- 1.5m hose

Product Certifications:



Dimensions (measurements in mm)



For more products, visit our website:
<http://www.bristan.com>



Flow Rates (l/min)

System Pressure (bar)	0.2	0.5	1	2	3	5
Bath Filler (Mixed)	28.7	47.6	69	98.3	120.4	155.4
Handset	4.7	8	12.4	20.1	27.5	37.5

TECHNICAL DATA SHEET



BRISTAN

D4